



1.5" Smart Valve Cut Sheet

Materials

Acetron GP

Stainless Steel

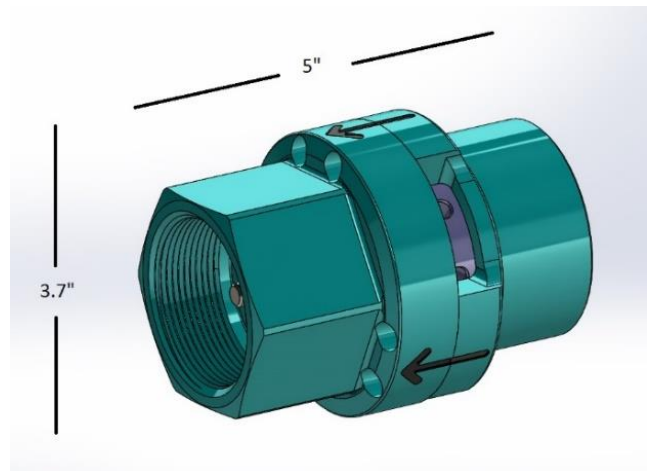
FDA approved internal o-rings

Certifications

NSF 61 (potable water)

NSF 372 (lead free)

Certifying laboratory: IAPMO R&T



Installation Dimensions

1.5" SMART VALVE:

Body Length	5.10"
Body O.D.	3.7"
Thread	1.5" Female NPT
Body Hex Size	2 3/4"
Shipping Weight	2 lbs

For best results install the Smart Valve downstream of water meter and backflow preventer (if present), but before any other valves or equipment such as a pressure reducer or booster pump. Where *possible* it is recommended (but not critical) to have 10 diameters of straight pipe before and after the valve. All threaded installations require pipe tape.

IMPORTANT: If the pipe the Smart Valve is being installed in is used as a Ground Fault Line, The Smart Valve will NOT conduct a current through the pipe without a grounding strap. As a precaution, ALWAYS use a ground strap across the valve from pipe to pipe.